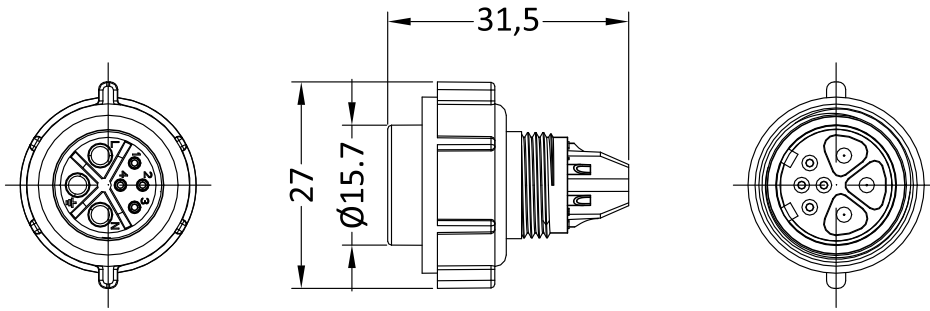
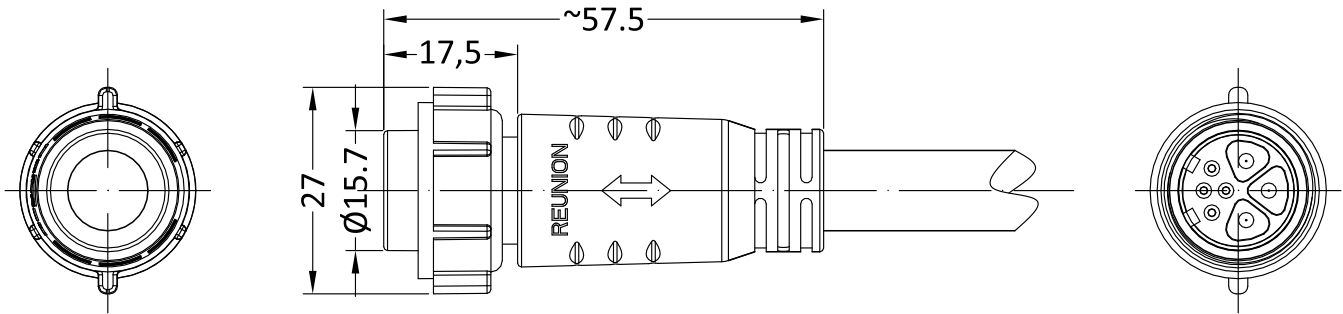


2D REFERENCE SIZE(UNIT:mm) 



IMAGES FOR CONNECTOR ONLY



IMAGES FOR CONNECTOR OVERMOLDING

### PLUG

### MODEL

KEY:G=SINGLE KEY; N=WITHOUT

SERIES: M SERIES; SHELL NO.2

CONTACTS:4=PIN AND PINHOLE MIXED; 07=7PINS

HOUSING:N=NYLON

CONTACT TYPE: A: MALE SOLDER; L: FEMALE SOLDER  
(based on Power pin)

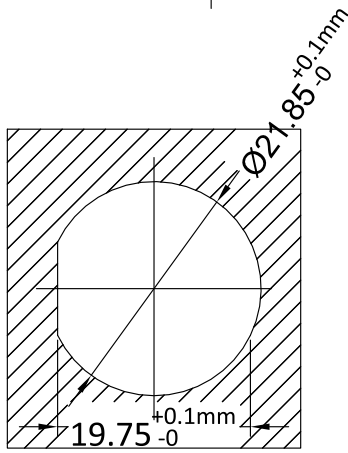
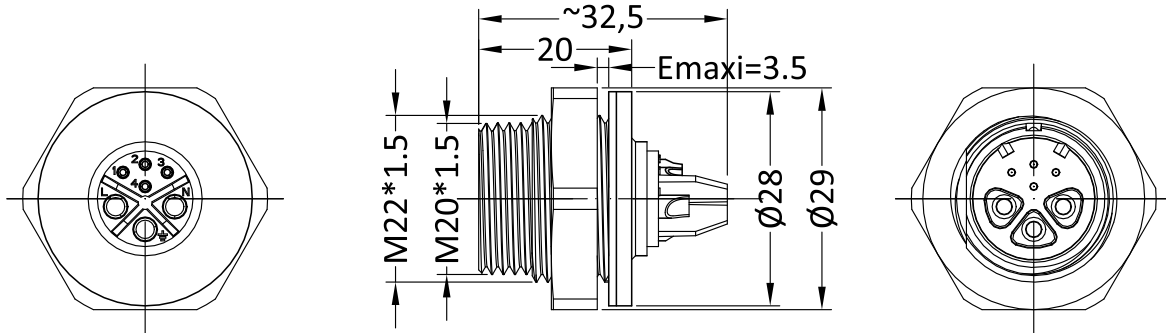
CABLE DIA: 10=CABLE DIA MAX 10.0MM

M=OVERMOLDING(PROCESSING,BY REUNION); OTHERWISE: EMPTY

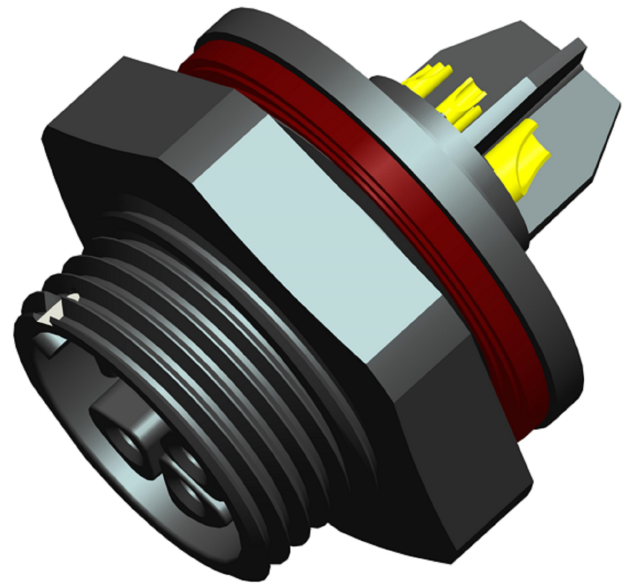
**PAG · 2M407 · NA10M**

Housing material: PA6+25%GF;  
 Contact material: Copper alloy, gold-plated  
 Contact type: Solder;  
 Contact dia: Power:2.0mm; Signal:0.9mm;  
 Rated current: Power:22A; Signal:9A;  
 Rated voltage: Power:800V;Signal:300V;  
 Insulation resistance: Power:1000MΩ;  
 Signal:500MΩ;  
 IP rating:IP67 waterproof;  
 Working temp: -45°C~+125°C;  
 Salt spray corrosion: >24H;  
 Fire rating: UL 94V0;  
 Mating cycle: 500 times;

2D REFERENCE SIZE(UNIT:mm) 



PANEL HOLE SIZE



IMAGES FOR CONNECTOR ONLY

**FIXED SOCKET MODEL**

**SEG · 2M407 · NL**

KEY:G=SINGLE KEY; N=WITHOUT

SERIES: M SERIES; SHELL NO.2

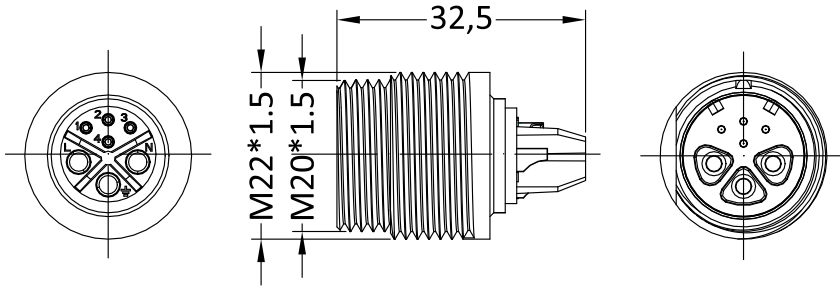
CONTACTS:4=PIN AND PINHOLE MIXED; 07=7PINS

HOUSING:N=NYLON

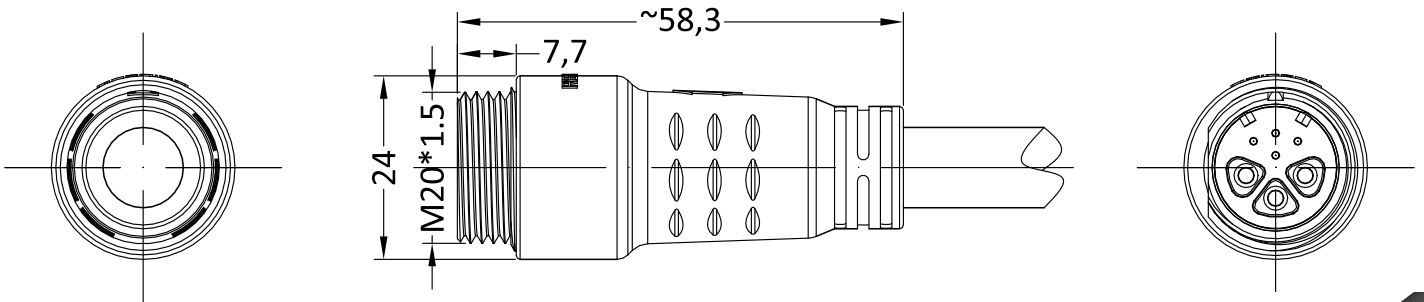
CONTACT TYPE: A: MALE SOLDER; L: FEMALE SOLDER; D: PCB-MALE; N:PCB-FEMALE; V:PCB-FEMALE ELBOW

Housing material: PA6+25%GF;  
 Contact material: Copper alloy, gold-plated  
 Contact type: Solder;  
 Contact dia: Power:2.0mm; Signal:0.9mm;  
 Rated current: Power:22A; Signal:9A;  
 Rated voltage: Power:800V;Signal:300V;  
 Insulation resistance: Power:1000MΩ;  
 Signal:500MΩ;  
 IP rating:IP67 waterproof;  
 Working temp: -45°C~+125°C;  
 Salt spray corrosion: > 24H;  
 Fire rating: UL 94V0;  
 Mating cycle: 500 times;

2D REFERENCE SIZE(UNIT:mm) 



IMAGES FOR CONNECTOR ONLY



IMAGES FOR CONNECTOR OVERMOLDING

### FREE SOCKET MODEL

KEY:G=SINGLE KEY; N=WITHOUT

SERIES: M SERIES; SHELL NO.2

CONTACTS:4=PIN AND PINHOLE MIXED; 07=7PINS

HOUSING:N=NYLON

CONTACT TYPE: A: MALE SOLDER; L: FEMALE SOLDER (based on Power pin)

CABLE DIA: 10=CABLE DIA MAX 10.0MM

M=OVERMOLDING(PROCESSING, BY REUNION); OTHERWISE: EMPTY

**SHG · 2M4 07 · NL 10 M**

Housing material: PA6+25%GF;  
 Contact material: Copper alloy, gold-plated  
 Contact type: Solder;  
 Contact dia: Power:2.0mm; Signal:0.9mm;  
 Rated current: Power:22A; Signal:9A;  
 Rated voltage: Power:800V;Signal:300V;  
 Insulation resistance: Power:1000MΩ;  
 Signal:500MΩ;  
 IP rating:IP67 waterproof;  
 Working temp: -45°C~+125°C;  
 Salt spray corrosion: > 24H;  
 Fire rating: UL 94V0;  
 Mating cycle: 500 times;