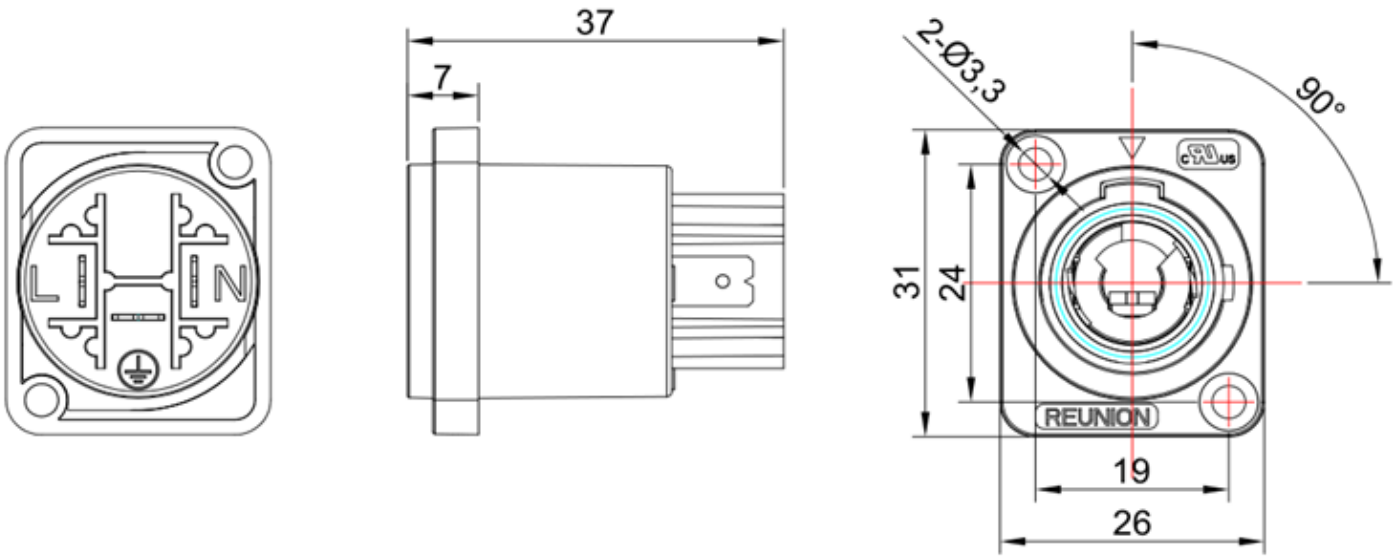


2D REFERENCE SIZE (UNIT: mm) 



SME.3N303.NQG.50  
3N90° IP50(GREY)



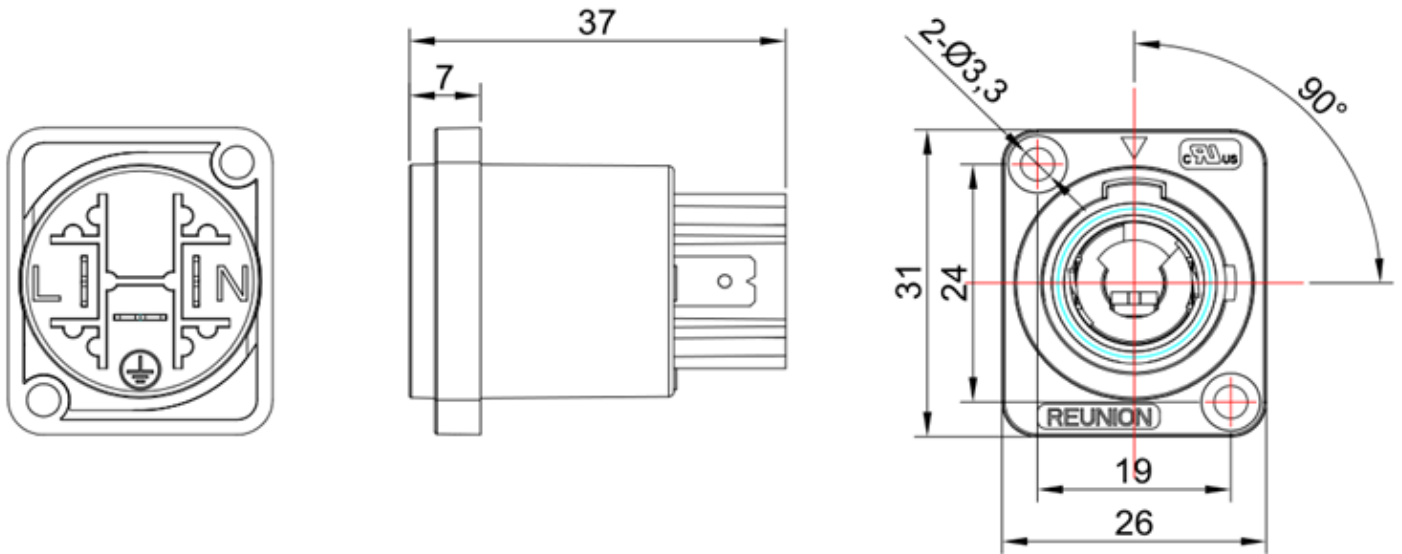
SME.3N303.NQY.67  
3N90° IP67(YELLOW)

\*=CUSTOMERS CAN CHOOSE THE MODEL ACCORDING TO THEIR OWN NEEDS

Images is for illustrative purpose only

- SERIES: N SERIES,NO.3 SHELL。
- IP LEVEL: IP50-IP67(GB/T4208)。
- CABLE TYPE: SOLDER/TERMINAL。
- KEY: E:90°;F:-90°。
- HOUSING MATERIAL: PA6。
- INSULATION MATERIAL: PA6。
- TERMINAL MATERIAL: COPPER ALLOY-SILVER PLATING。
- TERMINAL TYPE: PERFORATED TERMINAL。
- RATED CURRENT: 30A。
- WORKING VOLTAGE: 250Vac。
- MATING CYCLE: 2000 TIMES。(GB/T5095.1)
- CONTACT RESISTANCE: <2mΩ。
- SALT SPRAY CORROSION: >72h。
- WORKING TEMPERATURE: : -40°C~+125°C。
- FEATURES: QUICK AND CONVENIENT TURNING LOCKING SYSTEM, AND DIFFERENT KEYS TO AVOID MISMATING

2D REFERENCE SIZE (UNIT: mm)



SMF.3N303.NQB.50  
3N-90° IP50(BLUE)



SMF.3N303.NQL.67  
3N-90° IP67(BLACK)

\*=CUSTOMERS CAN CHOOSE THE MODEL ACCORDING TO THEIR OWN NEEDS

Images is for illustrative purpose only

- SERIES: N SERIES,NO.3 SHELL。
- IP LEVEL: IP50-IP67(GB/T4208)。
- CABLE TYPE: SOLDER/TERMINAL。
- KEY: E:90°;F:-90°。
- HOUSING MATERIAL: PA6。
- INSULATION MATERIAL: PA6。
- TERMINAL MATERIAL: COPPER ALLOY-SILVER PLATING。
- TERMINAL TYPE: PERFORATED TERMINAL。
- RATED CURRENT: 30A。
- WORKING VOLTAGE: 250Vac。
- MATING CYCLE: 2000 TIMES。(GB/T5095.1)
- CONTACT RESISTANCE: <2mΩ。
- SALT SPRAY CORROSION: >72h。
- WORKING TEMPERATURE: : -40°C~+125°C。
- FEATURES: QUICK AND CONVENIENT TURNING LOCKING SYSTEM, AND DIFFERENT KEYS TO AVOID MISMATING