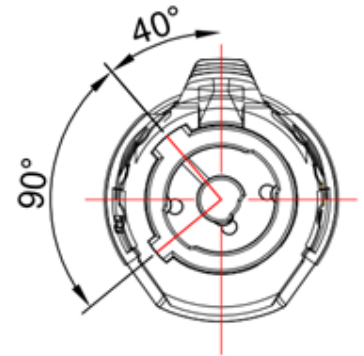
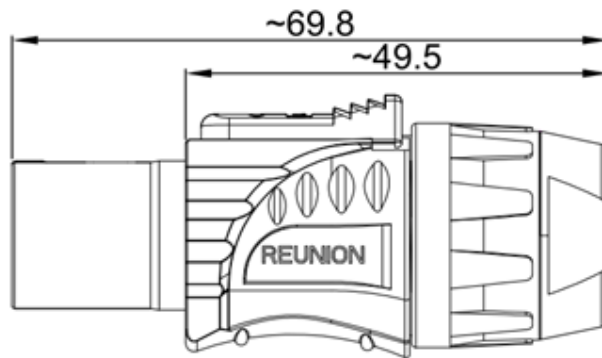
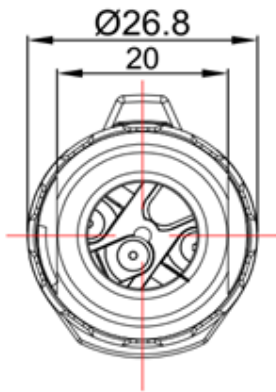
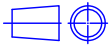


2D REFERENCE SIZE (UNIT: mm)



PCE.3N303.NE12GB.50N
3N90° IP50(GREY-BLUE)



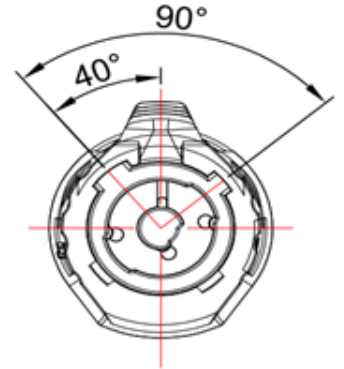
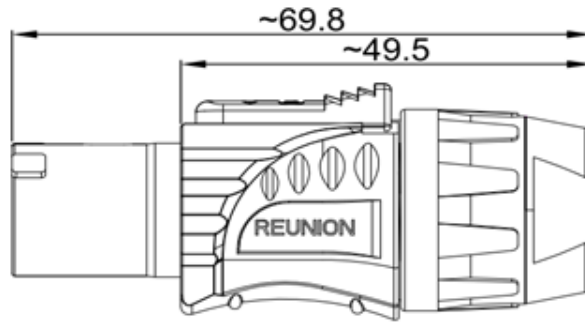
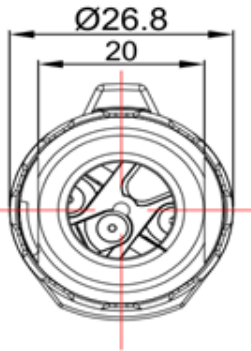
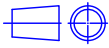
PCE.3N303.NE12LY.67N
3N90° IP67(BLACK-YELLOW)

*=CUSTOMERS CAN CHOOSE THE MODEL ACCORDING TO THEIR OWN NEEDS

Images is for illustrative purpose only

- SERIES: N SERIES,NO.3 SHELL。
- IP LEVEL: IP50-IP67(GB/T4208)。
- CABLE TYPE: SCREWS TIGHTEN PINS。
- CABLE DIA(mm):8mm~12.5mm
- KEY: E:90°;F:-90°。
- HOUSING MATERIAL: PA6。
- INSULATION MATERIAL: PA6。
- CAP MATERIAL:PA6
- CONTACTS DIA: 1.8mm
- TERMINAL TYPE: PERFORATED TERMINAL。
- RATED CURRENT: 30A。
- WORKING VOLTAGE: 250Vac。
- MATING CYCLE: 2000 TIMES。(GB/T5095.1)
- CONTACT RESISTANCE: <2mΩ。
- SALT SPRAY CORROSION: >72h。
- WORKING TEMPERATURE: : -40°C~+125°C。
- FEATURES: QUICK AND CONVENIENT TURNING LOCKING SYSTEM, AND DIFFERENT KEYS TO AVOID MISMATING

2D REFERENCE SIZE (UNIT: mm)



PCF.3N303.NE12BB.50N
3N-90° IP50 (BLUE-BLUE)



PCF.3N303.NE12LL.67N
3N-90° IP67 (BLACK-BLACK)

*=CUSTOMERS CAN CHOOSE THE MODEL ACCORDING TO THEIR OWN NEEDS

Images is for illustrative purpose only

- SERIES: N SERIES,NO.3 SHELL。
- IP LEVEL: IP50-IP67(GB/T4208)。
- CABLE TYPE: SCREWS TIGHTEN PINS。
- CABLE DIA(mm):8mm~12.5mm
- KEY: E:90°;F:-90°。
- HOUSING MATERIAL: PA6。
- INSULATION MATERIAL: PA6。
- CAP MATERIAL:PA6
- CONTACTS DIA: 1.8mm
- TERMINAL TYPE: PERFORATED TERMINAL。
- RATED CURRENT: 30A。
- WORKING VOLTAGE: 250Vac。
- MATING CYCLE: 2000 TIMES。(GB/T5095.1)
- CONTACT RESISTANCE: <2mΩ。
- SALT SPRAY CORROSION: >72h。
- WORKING TEMPERATURE: : -40°C~+125°C。
- FEATURES: QUICK AND CONVENIENT TURNING LOCKING SYSTEM, AND DIFFERENT KEYS TO AVOID MISMATING