

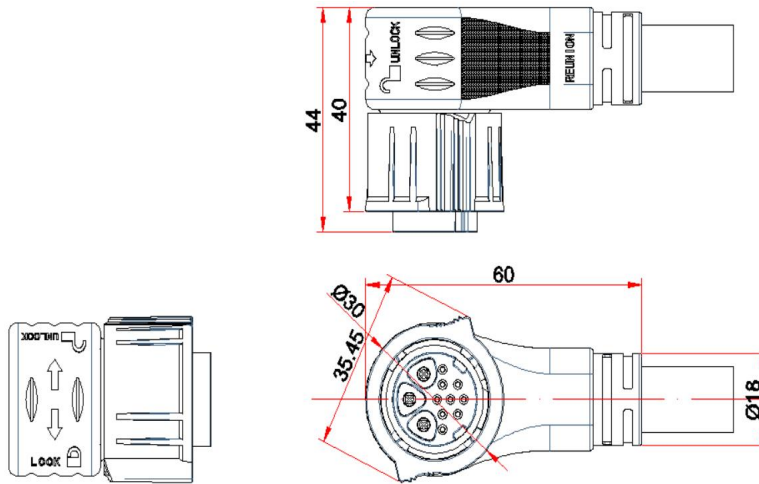
SUMMARY

Type:	3+9 Plug -Angle right
Termination type:	Male Solder
IP rating:	IP67
Housing Material:	Nylon
Insulator Material:	Nylon
Pins Material:	Pins: Copper alloy nickel plating / Pin holes: Copper alloy gold plating
Cableφ:	10~13.5mm
Fire rating:	UL94 V-0



Images is for illustrative purpose only

DRAWINGS



TECHNICAL SPECIFICATION

Contact Type:	Solder	Temp (min/max):	-40°C / +125°C
Working Current(Power):	30A	Humidity (max):	<=95%[at 60°C]
Working Current(Signal):	5A	IP Rating:	67
Working Voltage(Power):	AC/DC 300V		
Working Voltage(Signal):	DC30V		
Max. Mating:	>500 times		
Contact Φ(Power):	2.4 mm		
Contact Φ(Signal):	0.9 mm		
Insulation resistance:	2000MΩ		

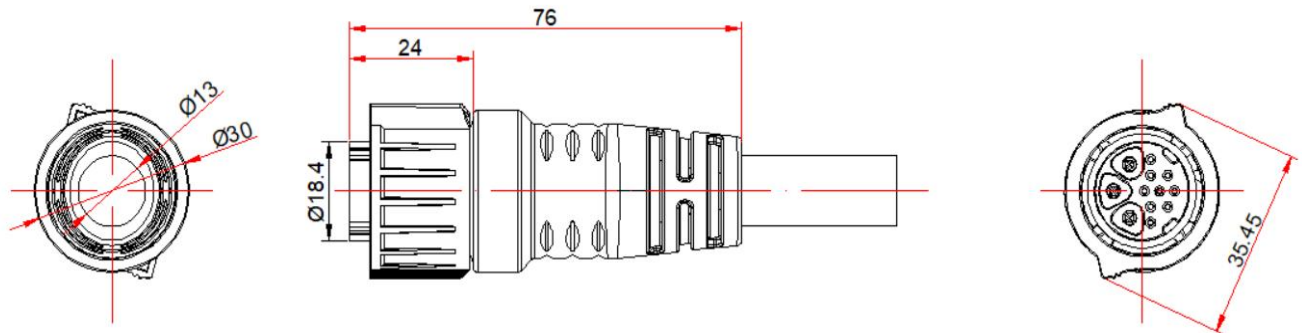
Note: All dimensions are in mm. All pictures are illustrations, subject to change.

SUMMARY

Type:	3+9 Plug -Straight
Termination type:	Male Solder
IP rating:	IP67
Housing Material:	Nylon
Insulator Material:	Nylon
Pins Material:	Pins: Copper alloy nickel plating / Pin holes: Copper alloy gold plating
Cableφ:	10~13.5mm
Fire rating:	UL94 V-0



Images is for illustrative purpose only

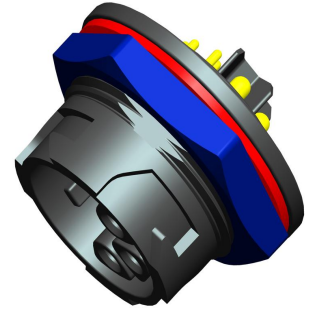
DRAWINGS**TECHNICAL SPECIFICATION**

Contact Type:	Solder	Temp (min/max):	-40°C / +125°C
Working Current(Power):	30A	Humidity (max):	<=95%[at 60°C]
Working Current(Signal):	5A	IP Rating:	67
Working Voltage(Power):	AC/DC 300V		
Working Voltage(Signal):	DC30V		
Max. Mating:	>500 times		
Contact Φ(Power):	2.4 mm		
Contact Φ(Signal):	0.9 mm		
Insulation resistance:	2000MΩ		

Note: All dimensions are in mm. All pictures are illustrations, subject to change.

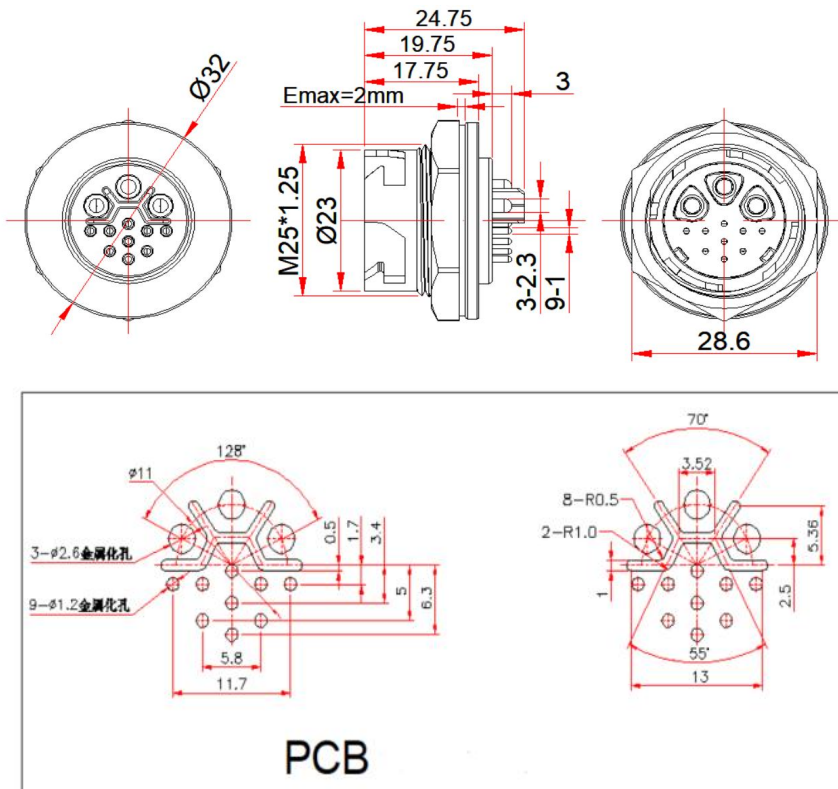
SUMMARY

Type:	3+9 Socket-PCB type
Termination type:	Female Solder
IP rating:	IP67
Housing Material:	Nylon
Insulator Material:	Nylon
Pins Material:	Pins: Copper alloy nickel plating / Pin holes: Copper alloy gold plating
Cableφ:	10~13.5mm
Fire rating:	UL94 V-0



Images is for illustrative purpose only

DRAWINGS



TECHNICAL SPECIFICATION

Contact Type:	Solder	Temp (min/max):	-40°C / +125°C
Working Current(Power):	30A	Humidity (max):	<=95%[at 60°C]
Working Current(Signal):	5A	IP Rating:	67
Working Voltage(Power):	AC/DC 300V		
Working Voltage(Signal):	DC30V		
Max. Mating:	>500 times		
Contact Φ(Power):	2.4 mm		
Contact Φ(Signal):	0.9 mm		
Insulation resistance:	2000MΩ		

Note: All dimensions are in mm. All pictures are illustrations, subject to change.

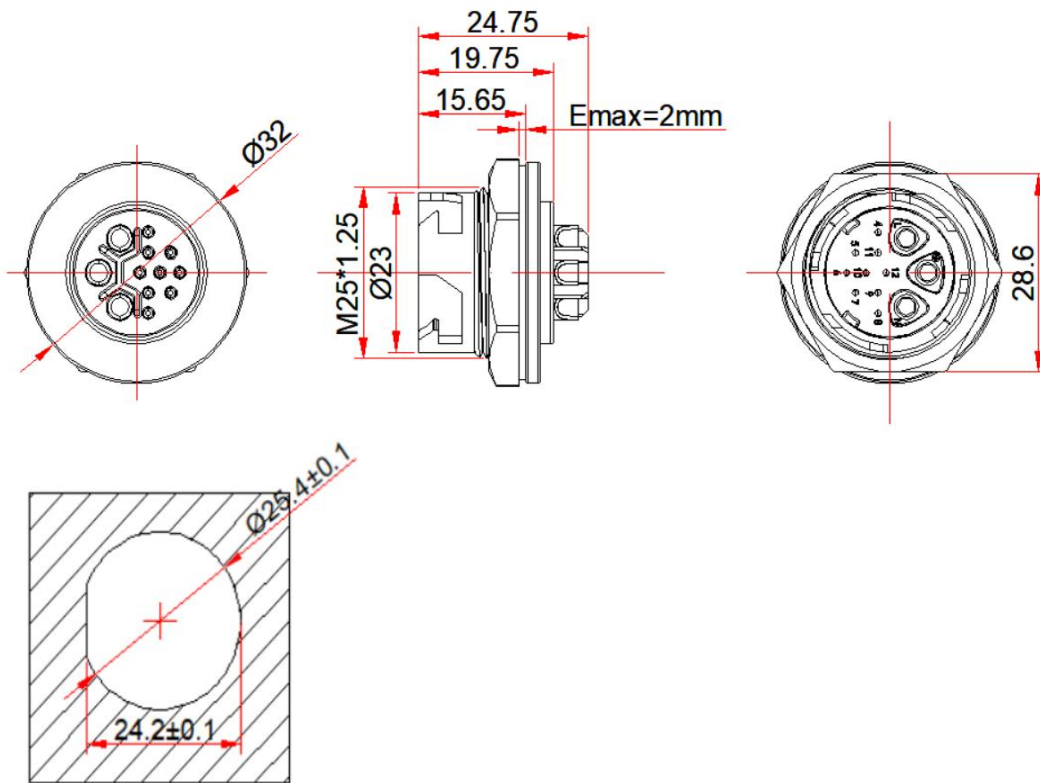
SUMMARY

Type: 3+9 Socket-Panel type
 Termination type: Female Solder
 IP rating: IP67
 Housing Material: Nylon
 Insulator Material: Nylon
 Pins Material: Pins: Copper alloy nickel plating / Pin holes: Copper alloy gold plating
 Cableφ: 10~13.5mm
 Fire rating: UL94 V-0



Images is for illustrative purpose only

DRAWINGS



TECHNICAL SPECIFICATION

Contact Type:	Solder	Temp (min/max):	-40°C / +125°C
Working Current(Power):	30A	Humidity (max):	<=95%[at 60°C]
Working Current(Signal):	5A	IP Rating:	67
Working Voltage(Power):	AC/DC 300V		
Working Voltage(Signal):	DC30V		
Max. Mating:	>500 times		
Contact Φ(Power):	2.4 mm		
Contact Φ(Signal):	0.9 mm		
Insulation resistance:	2000MΩ		

Note: All dimensions are in mm. All pictures are illustrations, subject to change.

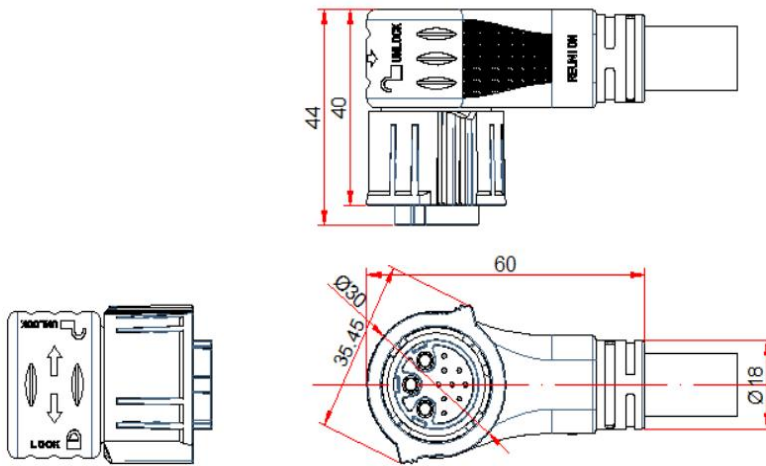
SUMMARY

Type:	3+9 Plug -Angle right
Termination type:	Female Solder
IP rating:	IP67
Housing Material:	Nylon
Insulator Material:	Nylon
Pins Material:	Pins: Copper alloy nickel plating / Pin holes: Copper alloy gold plating
Cableφ:	10~13.5mm
Fire rating:	UL94 V-0



Images is for illustrative purpose only

DRAWINGS



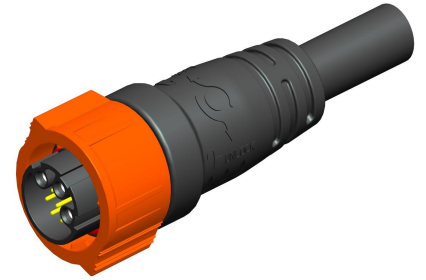
TECHNICAL SPECIFICATION

Contact Type:	Solder	Temp (min/max):	-40°C / +125°C
Working Current(Power):	30A	Humidity (max):	<=95%[at 60°C]
Working Current(Signal):	5A	IP Rating:	67
Working Voltage(Power):	AC/DC 300V		
Working Voltage(Signal):	DC30V		
Max. Mating:	>500 times		
Contact Φ(Power):	2.4 mm		
Contact Φ(Signal):	0.9 mm		
Insulation resistance:	2000MΩ		

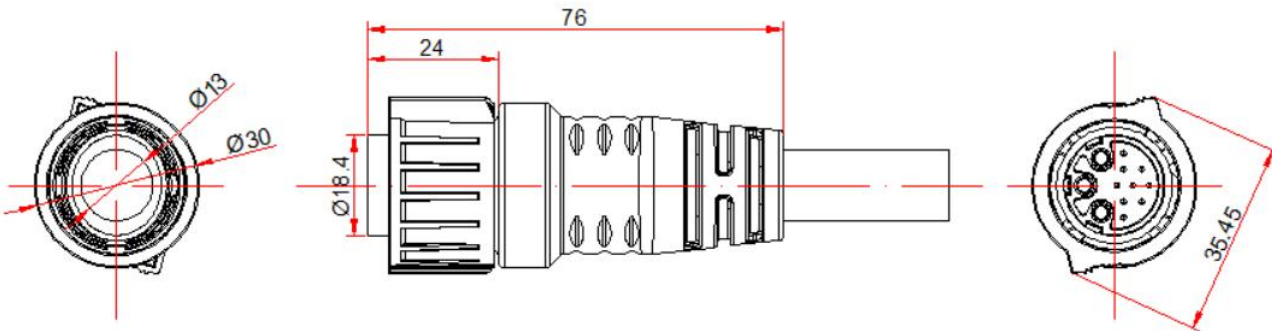
Note: All dimensions are in mm. All pictures are illustrations, subject to change.

SUMMARY

Type:	3+9 Plug -Straight
Termination type:	Female Solder
IP rating:	IP67
Housing Material:	Nylon
Insulator Material:	Nylon
Pins Material:	Pins: Copper alloy nickel plating / Pin holes: Copper alloy gold plating
Cableφ:	10~13.5mm
Fire rating:	UL94 V-0



Images is for illustrative purpose only

DRAWINGS**TECHNICAL SPECIFICATION**

Contact Type:	Solder	Temp (min/max):	-40°C / +125°C
Working Current(Power):	30A	Humidity (max):	<=95%[at 60°C]
Working Current(Signal):	5A	IP Rating:	67
Working Voltage(Power):	AC/DC 300V		
Working Voltage(Signal):	DC30V		
Max. Mating:	>500 times		
Contact Φ(Power):	2.4 mm		
Contact Φ(Signal):	0.9 mm		
Insulation resistance:	2000MΩ		

Note: All dimensions are in mm. All pictures are illustrations, subject to change.

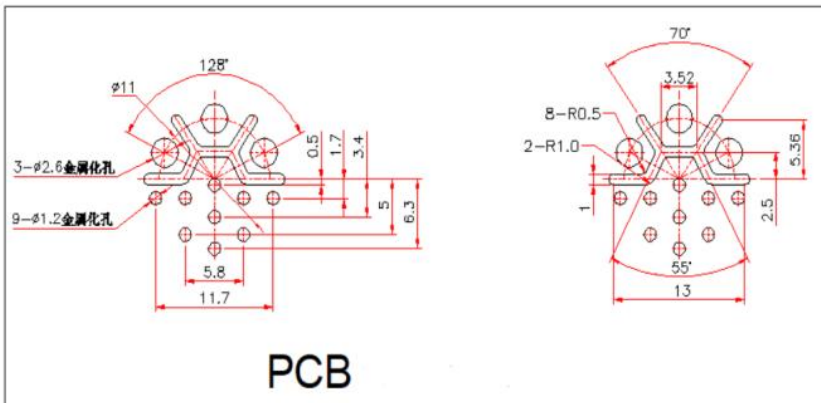
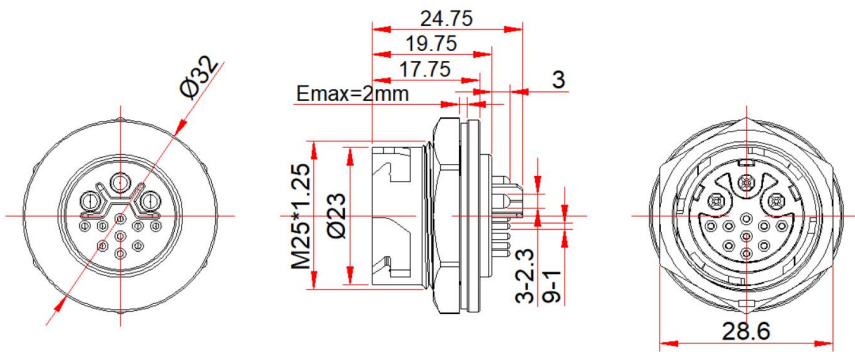
SUMMARY

Type:	3+9 Socket-PCB type
Termination type:	Female Solder
IP rating:	IP67
Housing Material:	Nylon
Insulator Material:	Nylon
Pins Material:	Pins: Copper alloy nickel plating / Pin holes: Copper alloy gold plating
Cableφ:	10~13.5mm
Fire rating:	UL94 V-0



Images is for illustrative purpose only

DRAWINGS



TECHNICAL SPECIFICATION

Contact Type:	Solder	Temp (min/max):	-40°C / +125°C
Working Current(Power):	30A	Humidity (max):	<=95%[at 60°C]
Working Current(Signal):	5A	IP Rating:	67
Working Voltage(Power):	AC/DC 300V		
Working Voltage(Signal):	DC30V		
Max. Mating:	>500 times		
Contact Φ(Power):	2.4 mm		
Contact Φ(Signal):	0.9 mm		
Insulation resistance:	2000MΩ		

Note: All dimensions are in mm. All pictures are illustrations, subject to change.

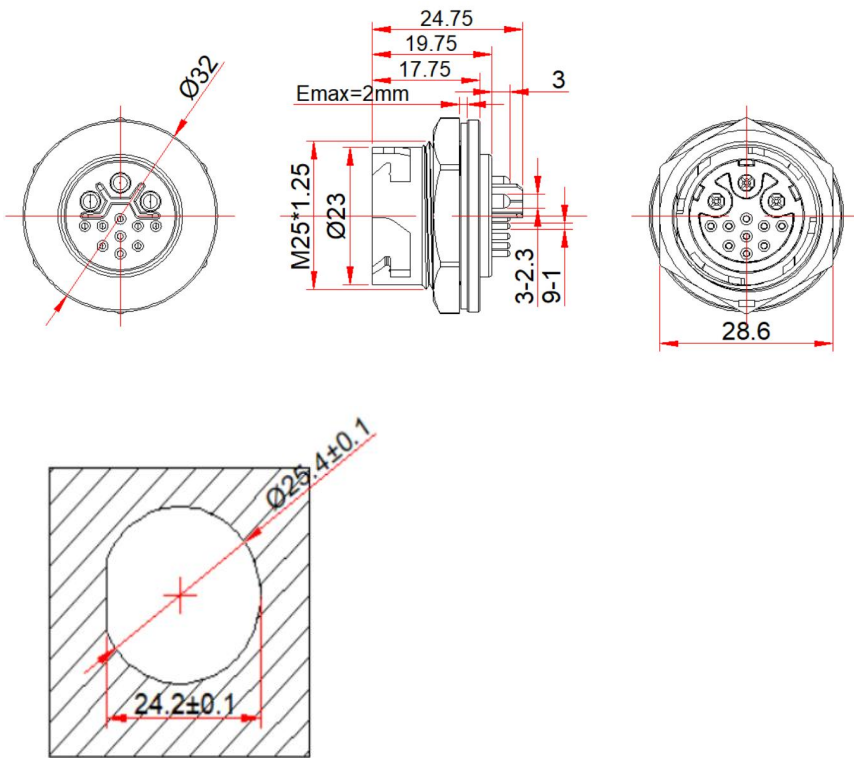
SUMMARY

Type: 3+9 Socket-Panel type
 Termination type: Female Solder
 IP rating: IP67
 Housing Material: Nylon
 Insulator Material: Nylon
 Pins Material: Pins: Copper alloy nickel plating / Pin holes: Copper alloy gold plating
 Cableφ: 10~13.5mm
 Fire rating: UL94 V-0



Images is for illustrative purpose only

DRAWINGS



TECHNICAL SPECIFICATION

Contact Type:	Solder	Temp (min/max):	-40°C / +125°C
Working Current(Power):	30A	Humidity (max):	<=95%[at 60°C]
Working Current(Signal):	5A	IP Rating:	67
Working Voltage(Power):	AC/DC 300V		
Working Voltage(Signal):	DC30V		
Max. Mating:	>500 times		
Contact Φ (Power):	2.4 mm		
Contact Φ (Signal):	0.9 mm		
Insulation resistance:	2000M Ω		

Note: All dimensions are in mm. All pictures are illustrations, subject to change.