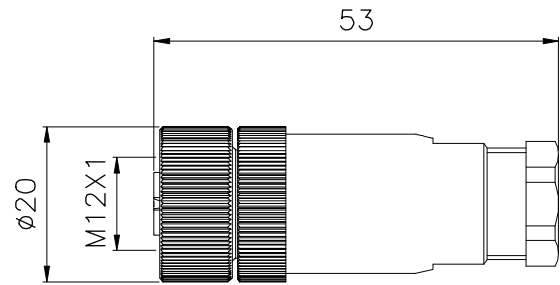


M12 straight assembled female plug



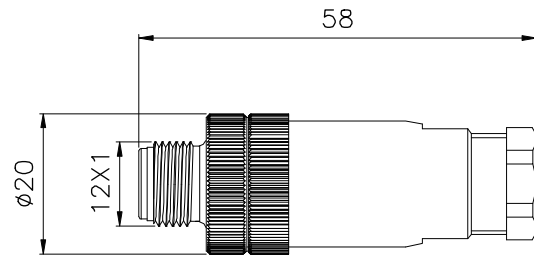
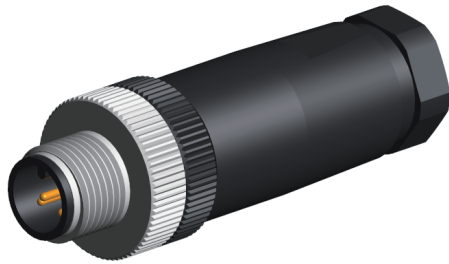
Technical parameter:

Housing material: Brass/Zinc alloy
 Insulator material: Nylon PA66
 Overmolding material: PVC/TPU
 Contacts material: Brass
 Temperature: ~40 ~ +80

Insulation impedance : $\gg 100m$
 Contacts impedance: $< \ll 10m$
 IP : IP67
 Mating cycle: $\gg 500$ times
 Cable : 4mm~8mm

Pin	Type				Current	Voltage		Core		Cable
	A	B	C	D		AC	DC	AWG	mm ²	
3					4A	250V	250V	22	0.34	PVC/PUR
4					4A	250V	250V	22	0.34	PVC/PUR
5					4A	60V	60V	22	0.34	PVC/PUR
8					2A	30V	30V	24	0.25	PVC/PUR
12					1.5A	30V	30V	26	0.14	PVC/PUR

M12 straight assembled male plug



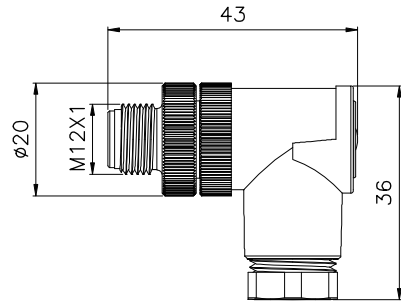
Technical parameter:

Housing material: Brass/Zinc alloy
 Insulator material: Nylon PA66
 Overmolding material: PVC/TPU
 Contacts material: Brass
 Temperature: ~-40 ~ +80

Insulation impedance : $\gg 100\text{m}$
 Contacts impedance: $< \ll 10\text{m}$
 IP : IP67
 Mating cycle: $\gg 500$ times
 Cable : 4mm~8mm

Pin	Type				Current	Voltage		Core		Cable
	A	B	C	D		AC	DC	AWG	mm ²	
3					4A	250V	250V	22	0.34	PVC/PUR
4					4A	250V	250V	22	0.34	PVC/PUR
5					4A	60V	60V	22	0.34	PVC/PUR
8					2A	30V	30V	24	0.25	PVC/PUR
12					1.5A	30V	30V	26	0.14	PVC/PUR

M12 series Angle right Plug-Female



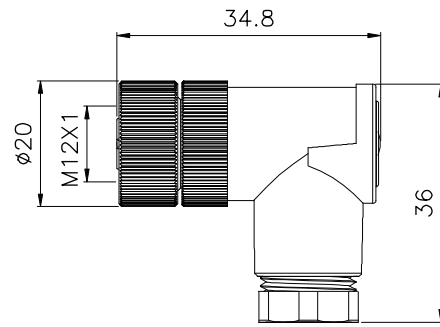
Technical parameter:

Housing material: Brass/Zinc alloy
 Insulator material: Nylon PA66
 Overmolding material: PVC/TPU
 Contacts material: Brass
 Temperature: ~-40 ~ +80

Insulation impedance : $\gg 100m$
 Contacts impedance: $< \ll 10m$
 IP : IP67
 Mating cycle: $\gg 500$ times
 Cable : 4mm~8mm

Pin	Type				Current	Voltage		Core		Cable
	A	B	C	D		AC	DC	AWG	mm ²	
3					4A	250V	250V	22	0.34	PVC/PUR
4					4A	250V	250V	22	0.34	PVC/PUR
5					4A	60V	60V	22	0.34	PVC/PUR
8					2A	30V	30V	24	0.25	PVC/PUR
12					1.5A	30V	30V	26	0.14	PVC/PUR

M12 series Angle right Plug-Male



■ Technical parameter:

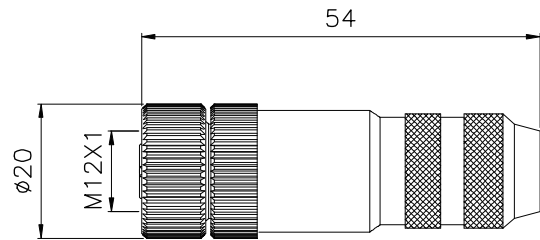
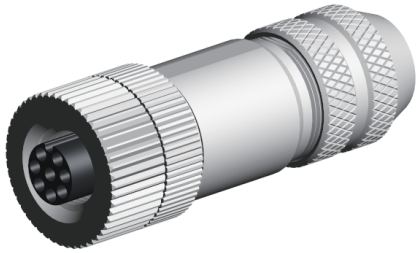
Housing material: Brass/Zinc alloy
 Insulator material: Nylon PA66
 Overmolding material: PVC/TPU
 Contacts material: Brass
 Temperature: ~40 ~ +80

Insulation impedance : $\gg 100m$
 Contacts impedance: $< \ll 10m$
 IP : IP67
 Mating cycle: $\gg 500$ times
 Cable : 4mm~8mm



Pin	Type				Current	Voltage		Core		Cable
	A	B	C	D		AC	DC	AWG	mm ²	
3					4A	250V	250V	22	0.34	PVC/PUR
4					4A	250V	250V	22	0.34	PVC/PUR
5					4A	60V	60V	22	0.34	PVC/PUR
8					2A	30V	30V	24	0.25	PVC/PUR
12					1.5A	30V	30V	26	0.14	PVC/PUR

M12 series Metal straight Plug-Femle



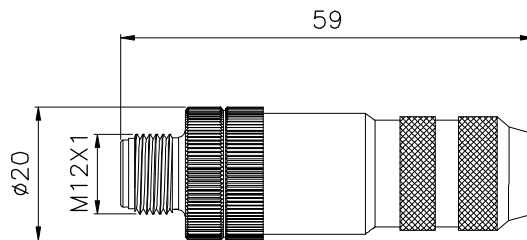
Technical parameter:

Housing material: Brass/Zinc alloy
 Insulator material: Nylon PA66
 Overmolding material: PVC/TPU
 Contacts material: Brass
 Temperature: ~40 ~ +80

Insulation impedance : $\gg 100\text{m}$
 Contacts impedance: $< \ll 10\text{m}$
 IP : IP67
 Mating cycle: $\gg 500$ times
 Cable : 4mm~8mm

Pin	Type				Current	Voltage		Core		Cable
	A	B	C	D		AC	DC	AWG	mm ²	
3					4A	250V	250V	22	0.34	PVC/PUR
4					4A	250V	250V	22	0.34	PVC/PUR
5					4A	60V	60V	22	0.34	PVC/PUR
8					2A	30V	30V	24	0.25	PVC/PUR
12					1.5A	30V	30V	26	0.14	PVC/PUR

M12 series Metal straight Plug-Male



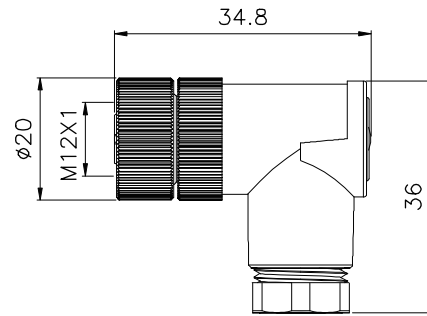
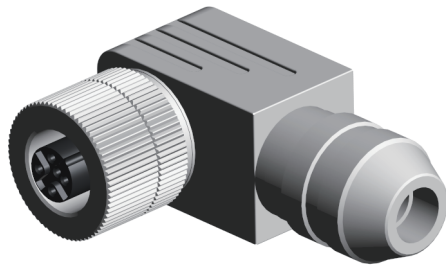
Technical parameter:

Housing material:	Brass/Zinc alloy	Insulation impedance :	》 100m
Insulator material:	Nylon PA66	Contacts impedance:	< 《10m
Overmolding material:	PVC/TPU	IP :	IP67
Contacts material:	Brass	Mating cycle:	》 500 times
Temperature:	~40 ~ +80	Cable :	4mm~8mm



Pin	Type				Current	Voltage		Core		Cable
	A	B	C	D		AC	DC	AWG	mm ²	
3					4A	250V	250V	22	0.34	PVC/PUR
4					4A	250V	250V	22	0.34	PVC/PUR
5					4A	60V	60V	22	0.34	PVC/PUR
8					2A	30V	30V	24	0.25	PVC/PUR
12					1.5A	30V	30V	26	0.14	PVC/PUR

M12 series Metal Angle right Plug-Female



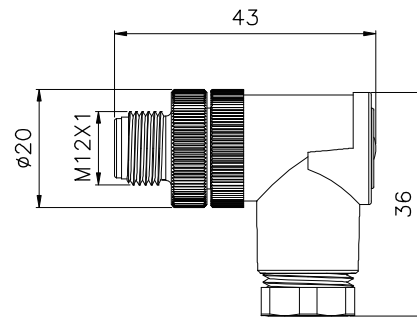
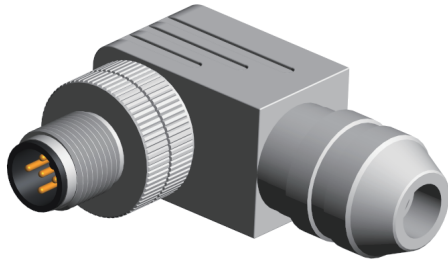
Technical parameter:

Housing material: Brass/Zinc alloy
 Insulator material: Nylon PA66
 Overmolding material: PVC/TPU
 Contacts material: Brass
 Temperature: ~40 ~ +80

Insulation impedance : $\gg 100m$
 Contacts impedance: $< \ll 10m$
 IP : IP67
 Mating cycle: $\gg 500$ times
 Cable : 4mm~8mm

Pin	Type				Current	Voltage		Core		Cable
	A	B	C	D		AC	DC	AWG	mm ²	
3					4A	250V	250V	22	0.34	PVC/PUR
4					4A	250V	250V	22	0.34	PVC/PUR
5					4A	60V	60V	22	0.34	PVC/PUR
8					2A	30V	30V	24	0.25	PVC/PUR
12					1.5A	30V	30V	26	0.14	PVC/PUR

M12 series Metal Angle right Plug-Male



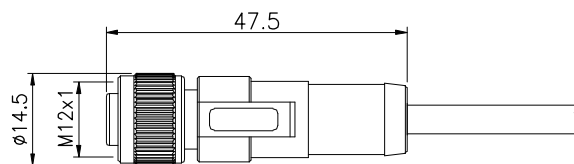
Technical parameter:

Housing material: Brass/Zinc alloy
 Insulator material: Nylon PA66
 Overmolding material: PVC/TPU
 Contacts material: Brass
 Temperature: ~-40 ~ +80

Insulation impedance : $\gg 100m$
 Contacts impedance: $< \ll 10m$
 IP : IP67
 Mating cycle: $\gg 500$ times
 Cable : 4mm~8mm

Pin	Type				Current	Voltage		Core		Cable
	A	B	C	D		AC	DC	AWG	mm ²	
3					4A	250V	250V	22	0.34	PVC/PUR
4					4A	250V	250V	22	0.34	PVC/PUR
5					4A	60V	60V	22	0.34	PVC/PUR
8					2A	30V	30V	24	0.25	PVC/PUR
12					1.5A	30V	30V	26	0.14	PVC/PUR

M12 series Straight Plug-Female



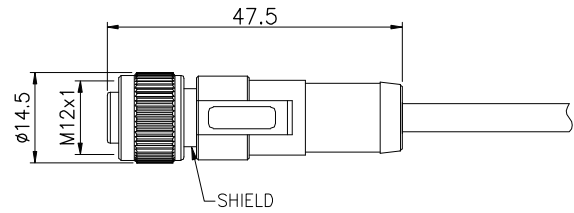
Technical parameter:

Housing material: Brass/Zinc alloy
 Insulator material: Nylon PA66
 Overmolding material: PVC/TPU
 Contacts material: Brass
 Temperature: ~40 ~ +80

Insulation impedance : $\gg 100m$
 Contacts impedance: $< \ll 10m$
 IP : IP67
 Mating cycle: $\gg 500$ times
 Cable : 4mm~8mm

Pin	Type				Current	Voltage		Core		Cable
	A	B	C	D		AC	DC	AWG	mm ²	
2					4A	250V	250V	22	0.34	PVC/PUR
3					4A	250V	250V	22	0.34	PVC/PUR
4					4A	250V	250V	22	0.34	PVC/PUR
5					4A	60V	60V	22	0.34	PVC/PUR
6					2A	30V	30V	24	0.25	PVC/PUR
8					2A	30V	30V	24	0.25	PVC/PUR
12					1.5A	30V	30V	26	0.14	PVC/PUR
17					1.5A	30V	30V	26	0.14	PVC/PUR

M12 series Straight Shield Plug-Female



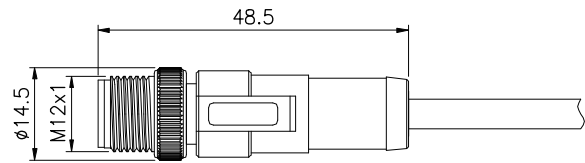
Technical parameter:

Housing material: Brass/Zinc alloy
 Insulator material: Nylon PA66
 Overmolding material: PVC/TPU
 Contacts material: Brass
 Temperature: ~40 ~ +80

Insulation impedance : $\gg 100m$
 Contacts impedance: $< \ll 10m$
 IP : IP67
 Mating cycle: $\gg 500$ times
 Cable : 4mm~8mm

Pin	Type				Current	Voltage		Core		Cable
	A	B	C	D		AC	DC	AWG	mm ²	
2					4A	250V	250V	22	0.34	PVC/PUR
3					4A	250V	250V	22	0.34	PVC/PUR
4					4A	250V	250V	22	0.34	PVC/PUR
5					4A	60V	60V	22	0.34	PVC/PUR
6					2A	30V	30V	24	0.25	PVC/PUR
8					2A	30V	30V	24	0.25	PVC/PUR
12					1.5A	30V	30V	26	0.14	PVC/PUR
17					1.5A	30V	30V	26	0.14	PVC/PUR

M12 series Straight Plug-Male

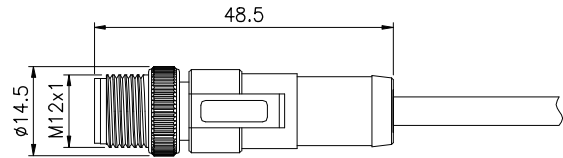


Technical parameter:

Housing material:	Brass/Zinc alloy	Insulation impedance :	》 100m
Insulator material:	Nylon PA66	Contacts impedance:	< 《 10m
Overmolding material:	PVC/TPU	IP :	IP67
Contacts material:	Brass	Mating cycle:	》 500 times
Temperature:	~40 ~ +80	Cable :	4mm~8mm

Pin	Type				Current	Voltage		Core		Cable
	A	B	C	D		AC	DC	AWG	mm ²	
2					4A	250V	250V	22	0.34	PVC/PUR
3					4A	250V	250V	22	0.34	PVC/PUR
4					4A	250V	250V	22	0.34	PVC/PUR
5					4A	60V	60V	22	0.34	PVC/PUR
6					2A	30V	30V	24	0.25	PVC/PUR
8					2A	30V	30V	24	0.25	PVC/PUR
12					1.5A	30V	30V	26	0.14	PVC/PUR
17					1.5A	30V	30V	26	0.14	PVC/PUR

M12 series Straight Shield Plug-Male

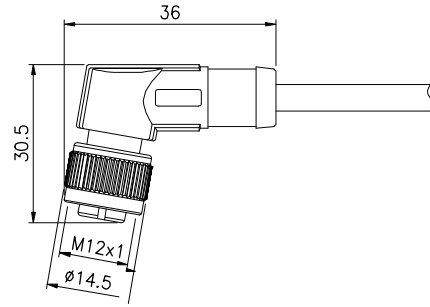


Technical parameter:

Housing material:	Brass/Zinc alloy	Insulation impedance :	» 100m
Insulator material:	Nylon PA66	Contacts impedance:	< « 10m
Overmolding material:	PVC/TPU	IP :	IP67
Contacts material:	Brass	Mating cycle:	» 500 times
Temperature:	~40 ~ +80	Cable :	4mm~8mm

Pin	Type				Current	Voltage		Core		Cable
	A	B	C	D		AC	DC	AWG	mm ²	
2					4A	250V	250V	22	0.34	PVC/PUR
3					4A	250V	250V	22	0.34	PVC/PUR
4					4A	250V	250V	22	0.34	PVC/PUR
5					4A	60V	60V	22	0.34	PVC/PUR
6					2A	30V	30V	24	0.25	PVC/PUR
8					2A	30V	30V	24	0.25	PVC/PUR
12					1.5A	30V	30V	26	0.14	PVC/PUR
17					1.5A	30V	30V	26	0.14	PVC/PUR

M12 series Angle right Plug-Female

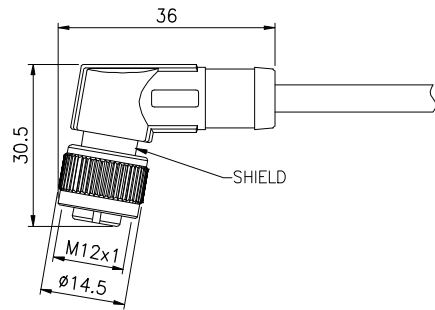
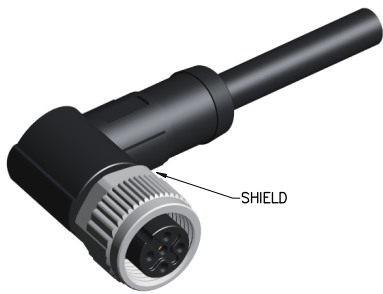


Technical parameter:

Housing material:	Brass/Zinc alloy	Insulation impedance :	» 100m
Insulator material:	Nylon PA66	Contacts impedance:	< « 10m
Overmolding material:	PVC/TPU	IP :	IP67
Contacts material:	Brass	Mating cycle:	» 500 times
Temperature:	~40 ~ +80	Cable :	4mm~8mm

Pin	Type				Current	Voltage		Core		Cable
	A	B	C	D		AC	DC	AWG	mm ²	
2					4A	250V	250V	22	0.34	PVC/PUR
3					4A	250V	250V	22	0.34	PVC/PUR
4					4A	250V	250V	22	0.34	PVC/PUR
5					4A	60V	60V	22	0.34	PVC/PUR
6					2A	30V	30V	24	0.25	PVC/PUR
8					2A	30V	30V	24	0.25	PVC/PUR
12					1.5A	30V	30V	26	0.14	PVC/PUR
17					1.5A	30V	30V	26	0.14	PVC/PUR

M12 series Angle right Shield Plug-Female



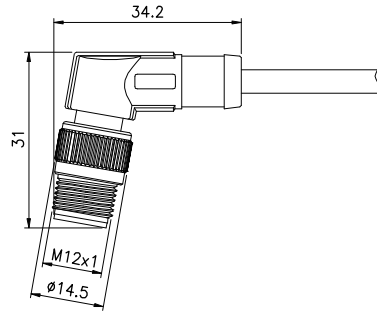
Technical parameter:

Housing material: Brass/Zinc alloy
 Insulator material: Nylon PA66
 Overmolding material: PVC/TPU
 Contacts material: Brass
 Temperature: ~40 ~ +80

Insulation impedance : $\gg 100m$
 Contacts impedance: $< \ll 10m$
 IP : IP67
 Mating cycle: $\gg 500$ times
 Cable : 4mm~8mm

Pin	Type				Current	Voltage		Core		Cable
	A	B	C	D		AC	DC	AWG	mm ²	
2					4A	250V	250V	22	0.34	PVC/PUR
3					4A	250V	250V	22	0.34	PVC/PUR
4					4A	250V	250V	22	0.34	PVC/PUR
5					4A	60V	60V	22	0.34	PVC/PUR
6					2A	30V	30V	24	0.25	PVC/PUR
8					2A	30V	30V	24	0.25	PVC/PUR
12					1.5A	30V	30V	26	0.14	PVC/PUR
17					1.5A	30V	30V	26	0.14	PVC/PUR

M12 series Angle right Plug-Male

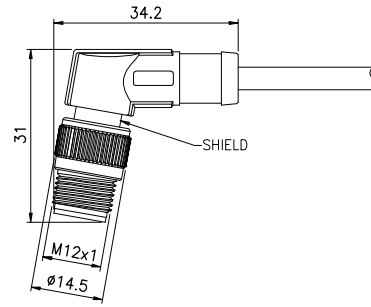
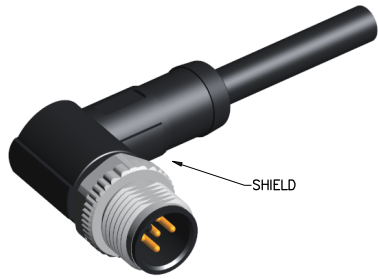


Technical parameter:

Housing material:	Brass/Zinc alloy	Insulation impedance :	》 100m
Insulator material:	Nylon PA66	Contacts impedance:	< 《10m
Overmolding material:	PVC/TPU	IP :	IP67
Contacts material:	Brass	Mating cycle:	》 500 times
Temperature:	~40 ~ +80	Cable :	4mm~8mm

Pin	Type				Current	Voltage		Core		Cable
	A	B	C	D		A/C (交流)	D/C (直流)	AWG	mm ²	
2					4A	250V	250V	22	0.34	PVC/PUR
3					4A	250V	250V	22	0.34	PVC/PUR
4					4A	250V	250V	22	0.34	PVC/PUR
5					4A	60V	60V	22	0.34	PVC/PUR
6					2A	30V	30V	24	0.25	PVC/PUR
8					2A	30V	30V	24	0.25	PVC/PUR
12					1.5A	30V	30V	26	0.14	PVC/PUR
17					1.5A	30V	30V	26	0.14	PVC/PUR

M12 series Angle right Shield Plug-Male



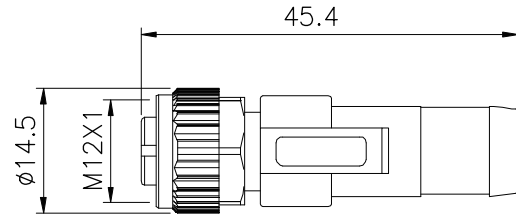
Technical parameter:

Housing material: Brass/Zinc alloy
 Insulator material: Nylon PA66
 Overmolding material: PVC/TPU
 Contacts material: Brass
 Temperature: ~40 ~ +80

Insulation impedance : $\gg 100m$
 Contacts impedance: $< \ll 10m$
 IP : IP67
 Mating cycle: $\gg 500$ times
 Cable : 4mm~8mm

Pin	Type				Current	Voltage		Core		Cable
	A	B	C	D		AC	DC	AWG	mm ²	
2					4A	250V	250V	22	0.34	PVC/PUR
3					4A	250V	250V	22	0.34	PVC/PUR
4					4A	250V	250V	22	0.34	PVC/PUR
5					4A	60V	60V	22	0.34	PVC/PUR
6					2A	30V	30V	24	0.25	PVC/PUR
8					2A	30V	30V	24	0.25	PVC/PUR
12					1.5A	30V	30V	26	0.14	PVC/PUR
17					1.5A	30V	30V	26	0.14	PVC/PUR

M12 series Straight Plug-Female



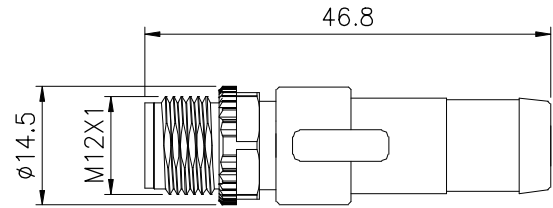
■ Technical parameter:

Housing material:	Brass/Zinc alloy	Insulation impedance :	» 100m
Insulator material:	Nylon PA66	Contacts impedance:	< « 10m
Overmolding material:	PVC/TPU	IP :	IP67
Contacts material:	Brass	Mating cycle:	» 500 times
Temperature:	~40 ~ +80	Cable :	4mm~8mm



Pin	Type				Current	Voltage		Core		Cable
	A	B	C	D		AC	DC	AWG	mm ²	
2					4A	250V	250V	22	0.34	PVC/PUR
3					4A	250V	250V	22	0.34	PVC/PUR
4					4A	250V	250V	22	0.34	PVC/PUR
5					4A	60V	60V	22	0.34	PVC/PUR
6					2A	30V	30V	24	0.25	PVC/PUR
8					2A	30V	30V	24	0.25	PVC/PUR

M12 series Straight Plug-Male



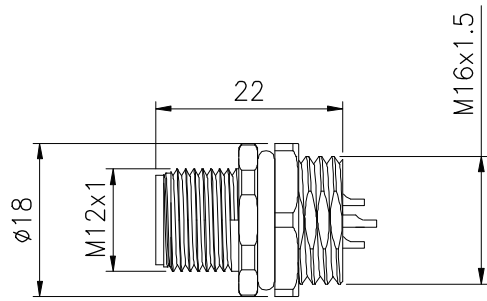
Technical parameter:

Housing material: Brass/Zinc alloy
 Insulator material: Nylon PA66
 Overmolding material: PVC/TPU
 Contacts material: Brass
 Temperature: ~-40 ~ +80

Insulation impedance : $\gg 100m$
 Contacts impedance: $< \ll 10m$
 IP : IP67
 Mating cycle: $\gg 500$ times
 Cable : 4mm~8mm

Pin	Type				Current	Voltage		Core		Cable
	A	B	C	D		AC	DC	AWG	mm ²	
2					4A	250V	250V	22	0.34	PVC/PUR
3					4A	250V	250V	22	0.34	PVC/PUR
4					4A	250V	250V	22	0.34	PVC/PUR
5					4A	60V	60V	22	0.34	PVC/PUR
6					2A	30V	30V	24	0.25	PVC/PUR
8					2A	30V	30V	24	0.25	PVC/PUR

M12 series panel front socket-Male

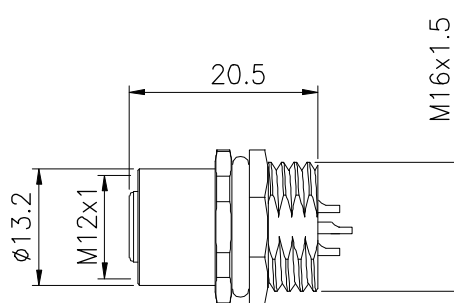


Technical parameter:

Housing material:	Brass/Zinc alloy	Insulation impedance :	» 100m
Insulator material:	Nylon PA66	Contacts impedance:	< « 10m
Overmolding material:	PVC/TPU	IP :	IP67
Contacts material:	Brass	Mating cycle:	» 500 times
Temperature:	~40 ~ +80	Cable :	4mm~8mm

Pin	Type				Current	Voltage		Core		Cable
	A	B	C	D		AC	DC	AWG	mm ²	
2					4A	250V	250V	22	0.34	PVC/PUR
3					4A	250V	250V	22	0.34	PVC/PUR
4					4A	250V	250V	22	0.34	PVC/PUR
5					4A	60V	60V	22	0.34	PVC/PUR
6					2A	30V	30V	24	0.25	PVC/PUR
8					2A	30V	30V	24	0.25	PVC/PUR
12					1.5A	30V	30V	26	0.14	PVC/PUR
17					1.5A	30V	30V	26	0.14	PVC/PUR

M12 series panel back socket-Female



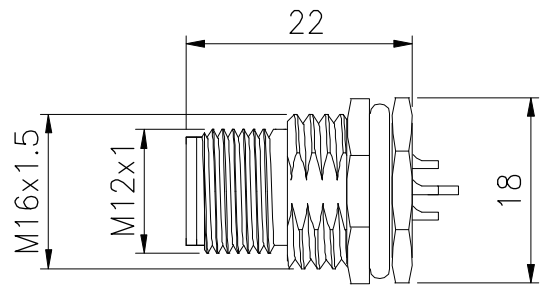
Technical parameter:

Housing material: Brass/Zinc alloy
 Insulator material: Nylon PA66
 Overmolding material: PVC/TPU
 Contacts material: Brass
 Temperature: ~40 ~ +80

Insulation impedance : $\gg 100m$
 Contacts impedance: $< \ll 10m$
 IP : IP67
 Mating cycle: $\gg 500$ times
 Cable : 4mm~8mm

Pin	Type				Current	Voltage		Core		Cable
	A	B	C	D		AC	DC	AWG	mm ²	
2					4A	250V	250V	22	0.34	PVC/PUR
3					4A	250V	250V	22	0.34	PVC/PUR
4					4A	250V	250V	22	0.34	PVC/PUR
5					4A	60V	60V	22	0.34	PVC/PUR
6					2A	30V	30V	24	0.25	PVC/PUR
8					2A	30V	30V	24	0.25	PVC/PUR
12					1.5A	30V	30V	26	0.14	PVC/PUR
17					1.5A	30V	30V	26	0.14	PVC/PUR

M12 series panel back socket-Male



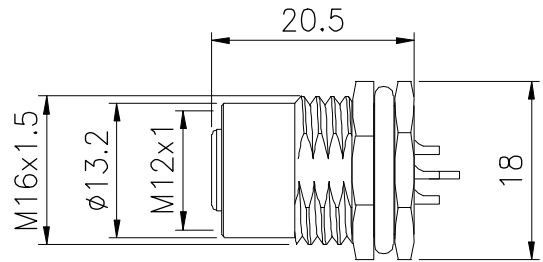
Technical parameter:

Housing material: Brass/Zinc alloy
 Insulator material: Nylon PA66
 Overmolding material: PVC/TPU
 Contacts material: Brass
 Temperature: ~40 ~ +80

Insulation impedance : $\gg 100m$
 Contacts impedance: $< \ll 10m$
 IP : IP67
 Mating cycle: $\gg 500$ times
 Cable : 4mm~8mm

Pin	Type				Current	Voltage		Core		Cable
	A	B	C	D		AC	DC	AWG	mm ²	
2					4A	250V	250V	22	0.34	PVC/PUR
3					4A	250V	250V	22	0.34	PVC/PUR
4					4A	250V	250V	22	0.34	PVC/PUR
5					4A	60V	60V	22	0.34	PVC/PUR
6					2A	30V	30V	24	0.25	PVC/PUR
8					2A	30V	30V	24	0.25	PVC/PUR
12					1.5A	30V	30V	26	0.14	PVC/PUR
17					1.5A	30V	30V	26	0.14	PVC/PUR

M12 series panel back socket-Female

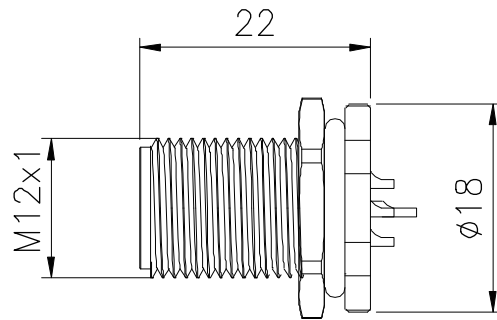


Technical parameter:

Housing material:	Brass/Zinc alloy	Insulation impedance :	» 100m
Insulator material:	Nylon PA66	Contacts impedance:	< «10m
Overmolding material:	PVC/TPU	IP :	IP67
Contacts material:	Brass	Mating cycle:	» 500 times
Temperature:	~40 ~ +80	Cable :	4mm~8mm

Pin	Type				Current	Voltage		Core		Cable
	A	B	C	D				AWG	mm ²	
2					4A	250V	250V	22	0.34	PVC/PUR
3					4A	250V	250V	22	0.34	PVC/PUR
4					4A	250V	250V	22	0.34	PVC/PUR
5					4A	60V	60V	22	0.34	PVC/PUR
6					2A	30V	30V	24	0.25	PVC/PUR
8					2A	30V	30V	24	0.25	PVC/PUR
12					1.5A	30V	30V	26	0.14	PVC/PUR
17					1.5A	30V	30V	26	0.14	PVC/PUR

M12 series panel back socket-Male



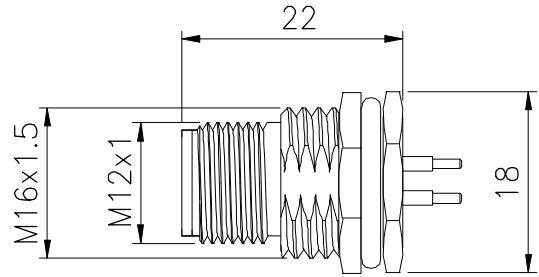
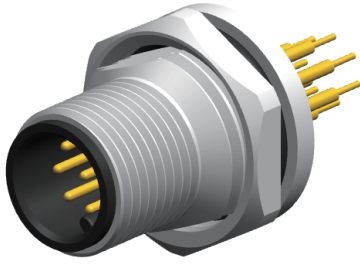
Technical parameter:

Housing material: Brass/Zinc alloy
 Insulator material: Nylon PA66
 Overmolding material: PVC/TPU
 Contacts material: Brass
 Temperature: ~40 ~ +80

Insulation impedance : $\gg 100m$
 Contacts impedance: $< \ll 10m$
 IP : IP67
 Mating cycle: $\gg 500$ times
 Cable : 4mm~8mm

Pin	Type				Current	Voltage		Core		Cable
	A	B	C	D		AC	DC	AWG	mm ²	
2					4A	250V	250V	22	0.34	PVC/PUR
3					4A	250V	250V	22	0.34	PVC/PUR
4					4A	250V	250V	22	0.34	PVC/PUR
5					4A	60V	60V	22	0.34	PVC/PUR
6					2A	30V	30V	24	0.25	PVC/PUR
8					2A	30V	30V	24	0.25	PVC/PUR
12					1.5A	30V	30V	26	0.14	PVC/PUR
17					1.5A	30V	30V	26	0.14	PVC/PUR

M12 series panel back PCB socket-Male

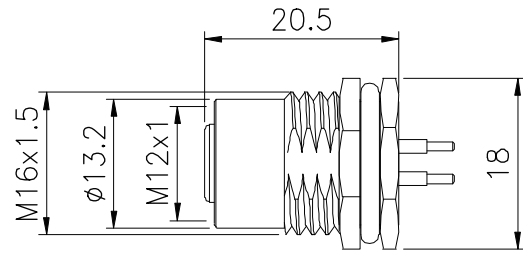
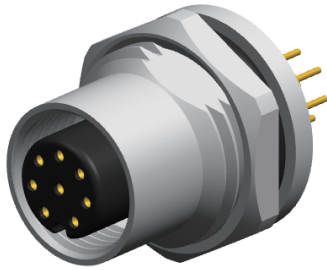


Technical parameter:

Housing material:	Brass/Zinc alloy	Insulation impedance :	» 100m
Insulator material:	Nylon PA66	Contacts impedance:	< « 10m
Overmolding material:	PVC/TPU	IP :	IP67
Contacts material:	Brass	Mating cycle:	» 500 times
Temperature:	~40 ~ +80	Cable :	4mm~8mm

Pin	Type				Current	Voltage		Core		Cable
	A	B	C	D		AC	DC	AWG	mm ²	
2					4A	250V	250V	22	0.34	
3					4A	250V	250V	22	0.34	
4					4A	250V	250V	22	0.34	
5					4A	60V	60V	22	0.34	
6					2A	30V	30V	24	0.25	
8					2A	30V	30V	24	0.25	
12					1.5A	30V	30V	26	0.14	
17					1.5A	30V	30V	26	0.14	

M12 series panel back PCB socket-Female

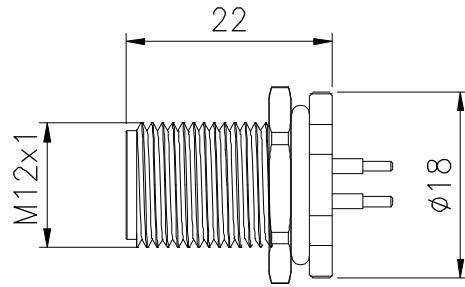
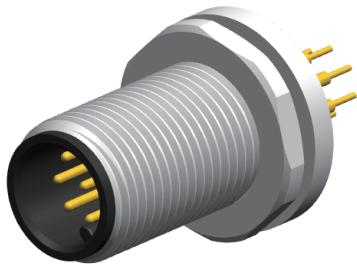


Technical parameter:

Housing material:	Brass/Zinc alloy	Insulation impedance :	» 100m
Insulator material:	Nylon PA66	Contacts impedance:	< «10m
Overmolding material:	PVC/TPU	IP :	IP67
Contacts material:	Brass	Mating cycle:	» 500 times
Temperature:	~40 ~ +80	Cable :	4mm~8mm

Pin	Type				Current	Voltage		Core		Cable
	A	B	C	D		AC	DC	AWG	mm ²	
2					4A	250V	250V	22	0.34	
3					4A	250V	250V	22	0.34	
4					4A	250V	250V	22	0.34	
5					4A	60V	60V	22	0.34	
6					2A	30V	30V	24	0.25	
8					2A	30V	30V	24	0.25	
12					1.5A	30V	30V	26	0.14	
17					1.5A	30V	30V	26	0.14	

M12 series panel back PCB socket-Male



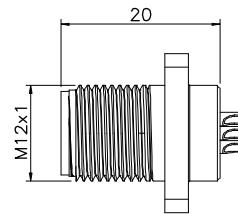
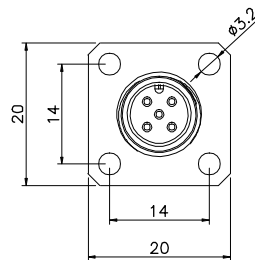
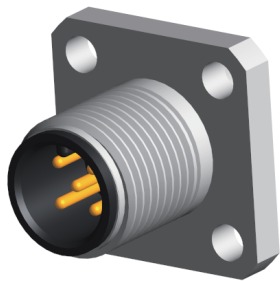
Technical parameter:

Housing material: Brass/Zinc alloy
 Insulator material: Nylon PA66
 Overmolding material: PVC/TPU
 Contacts material: Brass
 Temperature: ~40 ~ +80

Insulation impedance : $\gg 100m$
 Contacts impedance: $< \ll 10m$
 IP : IP67
 Mating cycle: $\gg 500$ times
 Cable : 4mm~8mm

Pin	Type				Current	Voltage		Core		Cable
	A	B	C	D		AC	DC	AWG	mm ²	
2					4A	250V	250V	22	0.34	
3					4A	250V	250V	22	0.34	
4					4A	250V	250V	22	0.34	
5					4A	60V	60V	22	0.34	
6					2A	30V	30V	24	0.25	
8					2A	30V	30V	24	0.25	
12					1.5A	30V	30V	26	0.14	
17					1.5A	30V	30V	26	0.14	

M12 series flange socket-Male



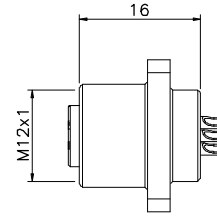
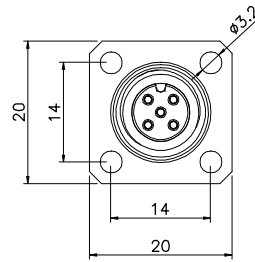
Technical parameter:

Housing material: Brass/Zinc alloy
 Insulator material: Nylon PA66
 Overmolding material: PVC/TPU
 Contacts material: Brass
 Temperature: ~40 ~ +80

Insulation impedance : $\gg 100m$
 Contacts impedance: $< \ll 10m$
 IP : IP67
 Mating cycle: $\gg 500$ times
 Cable : 4mm~8mm

Pin	Type				Current	Voltage		Core		Cable
	A	B	C	D		AC	DC	AWG	mm ²	
2					4A	250V	250V	22	0.34	PVC/PUR
3					4A	250V	250V	22	0.34	PVC/PUR
4					4A	250V	250V	22	0.34	PVC/PUR
5					4A	60V	60V	22	0.34	PVC/PUR
6					2A	30V	30V	24	0.25	PVC/PUR
8					2A	30V	30V	24	0.25	PVC/PUR
12					1.5A	30V	30V	26	0.14	PVC/PUR
17					1.5A	30V	30V	26	0.14	PVC/PUR

M12 series flange socket-Female



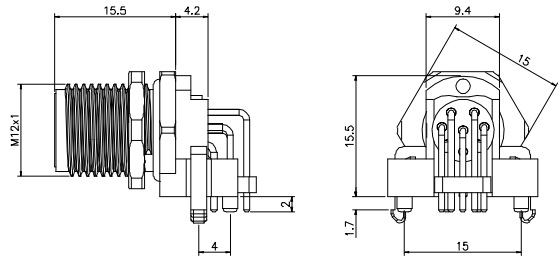
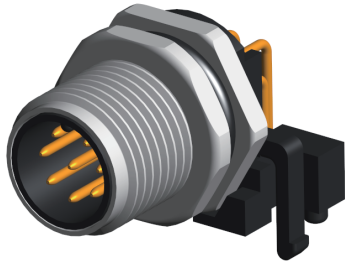
Technical parameter:

Housing material: Brass/Zinc alloy
 Insulator material: Nylon PA66
 Overmolding material: PVC/TPU
 Contacts material: Brass
 Temperature: ~40 ~ +80

Insulation impedance : $\gg 100m$
 Contacts impedance: $< \ll 10m$
 IP : IP67
 Mating cycle: $\gg 500$ times
 Cable : 4mm~8mm

Pin	Type				Current	Voltage		Core		Cable
	A	B	C	D		AC	DC	AWG	mm ²	
2					4A	250V	250V	22	0.34	PVC/PUR
3					4A	250V	250V	22	0.34	PVC/PUR
4					4A	250V	250V	22	0.34	PVC/PUR
5					4A	60V	60V	22	0.34	PVC/PUR
6					2A	30V	30V	24	0.25	PVC/PUR
8					2A	30V	30V	24	0.25	PVC/PUR
12					1.5A	30V	30V	26	0.14	PVC/PUR
17					1.5A	30V	30V	26	0.14	PVC/PUR

M12 series angle PCB socket-Male

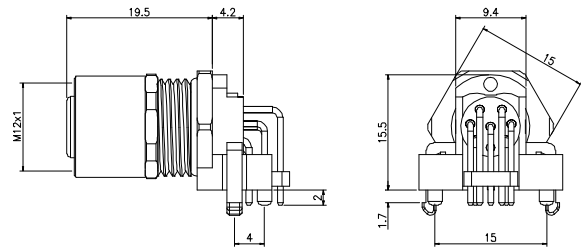


Technical parameter:

Housing material:	Brass/Zinc alloy	Insulation impedance :	» 100m
Insulator material:	Nylon PA66	Contacts impedance:	< « 10m
Overmolding material:	PVC/TPU	IP :	IP67
Contacts material:	Brass	Mating cycle:	» 500 times
Temperature:	~40 ~ +80	Cable :	4mm~8mm

Pin	Type				Current	Voltage		Core		Cable
	A	B	C	D		AC	DC	AWG	mm ²	
2					4A	250V	250V	22	0.34	PVC/PUR
3					4A	250V	250V	22	0.34	PVC/PUR
4					4A	250V	250V	22	0.34	PVC/PUR
5					4A	60V	60V	22	0.34	PVC/PUR
6					2A	30V	30V	24	0.25	PVC/PUR
8					2A	30V	30V	24	0.25	PVC/PUR
12					1.5A	30V	30V	26	0.14	PVC/PUR

M12 series angle PCB socket-Female



Technical parameter:

Housing material: Brass/Zinc alloy
 Insulator material: Nylon PA66
 Overmolding material: PVC/TPU
 Contacts material: Brass
 Temperature: ~40 ~ +80

Insulation impedance : $\gg 100m$
 Contacts impedance: $< \ll 10m$
 IP : IP67
 Mating cycle: $\gg 500$ times
 Cable : 4mm~8mm

Pin	Type				Current	Voltage		Core		Cable
	A	B	C	D		AC	DC	AWG	mm ²	
2					4A	250V	250V	22	0.34	PVC/PUR
3					4A	250V	250V	22	0.34	PVC/PUR
4					4A	250V	250V	22	0.34	PVC/PUR
5					4A	60V	60V	22	0.34	PVC/PUR
6					2A	30V	30V	24	0.25	PVC/PUR
8					2A	30V	30V	24	0.25	PVC/PUR
12					1.5A	30V	30V	26	0.14	PVC/PUR